



# SKID

Test-& Debugging Platform

Information in this publication supersedes that in all previously published material.  
Specifications are subject to change without notice.

## Manufacturer

PMK Mess- und Kommunikationstechnik GmbH  
Königsteiner Str. 98  
65812 Bad Soden am Taunus, germany

Internet: [www.pmk.de](http://www.pmk.de)

Tel: +49 (0) 6196 5927 - 930  
Fax: +49 (0) 6196 5927 - 939

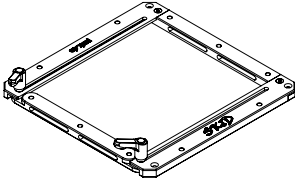
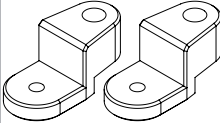
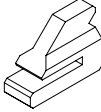
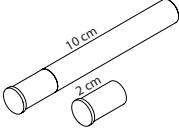



E-Mail: [sales@pmk.de](mailto:sales@pmk.de)

## Warranty

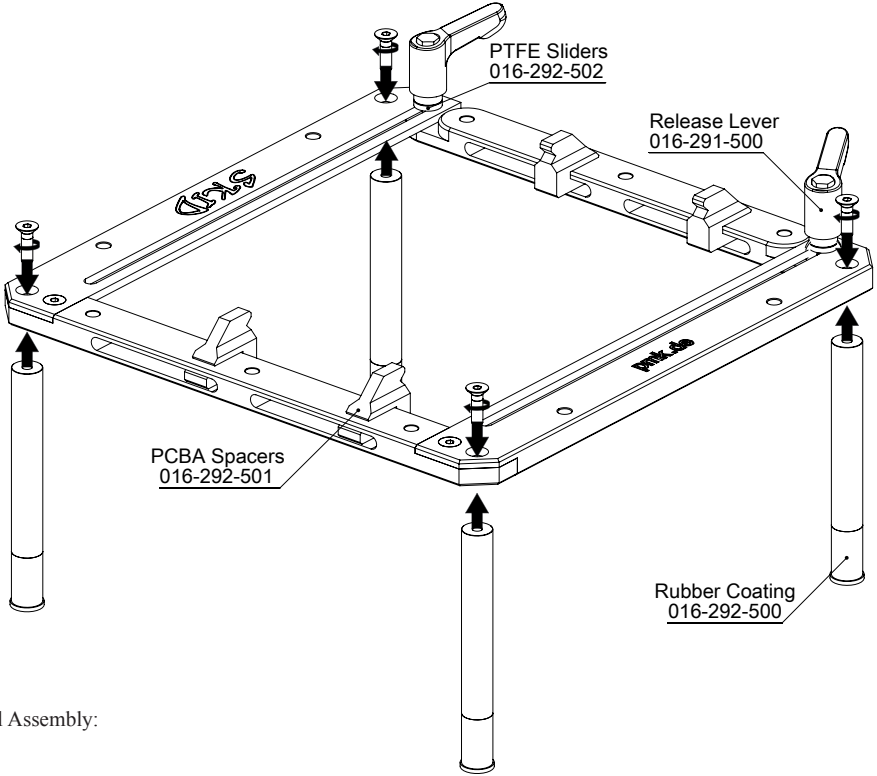
PMK GmbH warrants this accessory for normal use and operation within specifications for a period of two (2) years from date of shipment and will repair or replace any defective product which was not damaged by negligence, misuse, improper installation, accident or unauthorized repair or modification by the buyer. This warranty is applicable only to defects due to material or workmanship. PMK GmbH disclaim any other implied warranties of merchantability or fitness for a particular purpose. PMK GmbH will not be liable for any indirect, special, incidental, or consequential damages (including damages for loss of profits, loss of business, loss of use or data, interruption of business and the like), even if PMK GmbH has been advised of the possibility of such damages arising from any defect or error in this manual or product.

## Scope of delivery

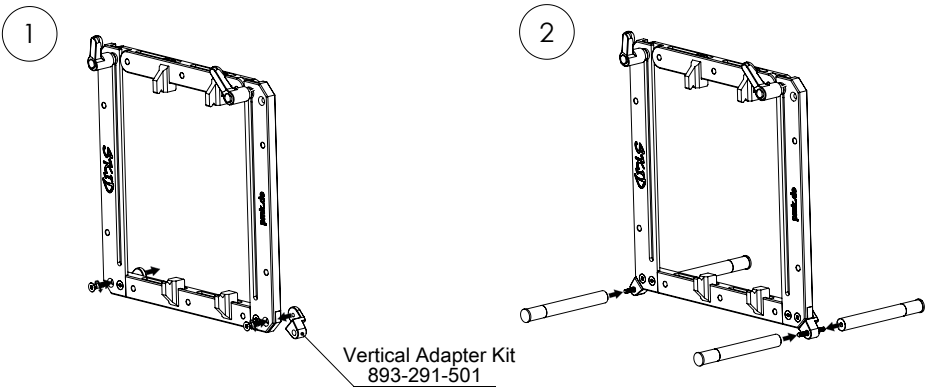
Despite the fact, that the assembly of the Skid is self-explanatory, we would like to show you the parts it consists of and other viable accessories you might enjoy.

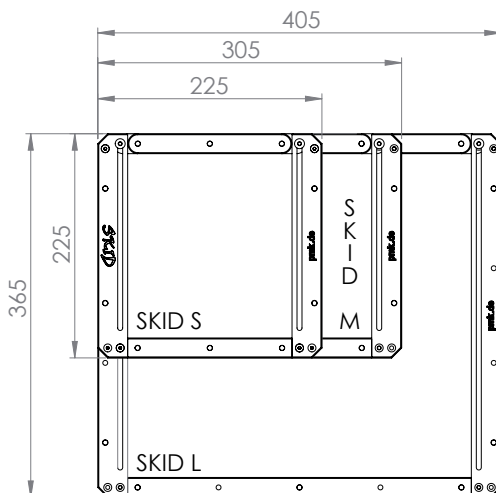
1 x Frame incl. 2 x Release Lever 	1 x Vertical Adapter Kit 	5 x PCBA Spacer 6 x für Skid L 	4 + 4 x Pedestal 
		4 x Screw M4 	1 x Hex-wrench 

Horizontal Assembly:



Vertical Assembly:





Units in millimeters (mm)

This manual is valid for all SKID models.

■ SKID S	(160 x 160 mm Spanwidth)	893-500-000
■ SKID-Starter-Kit	(160 x 160 mm Spanwidth)	893-500-START
■ SKID M	(160 x 240 mm Spanwidth)	893-500-010
■ SKID L	(300 x 340 mm Spanwidth)	893-500-020

Available Accessories and Spares for SKID:

■ Release Lever	016-291-500
■ PCBA Spacer	016-292-501
■ Rubber Coating for Pedestals	016-292-500
■ 3-Fold Holder	893-050-000
■ Uniholder	893-090-000
■ PMK 3D Positioner, 130 mm	893-200-130
■ PMK 3D Positioner, 130 mm, stainless steel	893-200-13V
■ PMK 3D Positioner, 200 mm	893-200-200
■ PMK 3D Positioner, 200 mm, stainless steel	893-200-20V
■ Camera adapter 1/4" to M6	893-000-M16
■ PTFE Sliders	016-292-502
■ Wrench AF 7 mm	893-000-SW7
■ Hex-wrench	893-000-125
■ SKID Vertical Adapter Kit	893-291-501
■ 4x SKID Pedestal 2 cm	893-291-503

M93-500-000  
M93-500-START  
M93-500-010  
M93-500-020